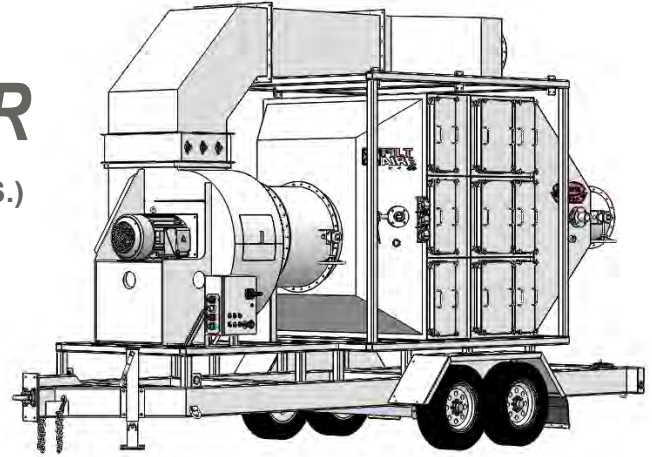




20,000 CFM HEPA TRAILER

Electric Powered Portable Air Scrubber System (P.A.S.S.)

- MOBILE or SKID MOUNTED
Heavy duty 4" X 10" rectangular tube frame
- TRAILER
Dual axle, 7,000 lbs. Torflex with electric brakes
- POWER SOURCE
50 HP 460/3/60 TEFC premium efficiency motor, 60 FLA
NEMA 4 across the line motor starter, circuit breaker disconnect
- FILTRATION
Filtering capacity of 20,000 CFM at 10" WG
(9) side loading pre-filters, 24"x24"x4" deep, MERV 7
(9) side loading HEPA particulate cartridges, DOP rated
99.97% efficiency @ 0.3 micron, 24"x24"x11-1/2" deep



Dimensional drawing on other side



STANDARD EQUIPMENT

- Mild Carbon steel construction
- High quality finish- epoxy primer & polyurethane top coat
- DOT approved LED trailer lighting & reflective recognition tape
- Standard one year limited warranty
- (2) 20" diameter inlets with flanged connections, internal air difusser
- Manual damper for fan discharge with safety screen
- Filter access doors with Bag-in Bag-out containment protection
- Magnehelic gauge for each filter section
- DOP test ports, 2" NPT
- Decontamination ports with 3" butterfly valves
- Isolation valves with manual hand wheel

VERSATILITY - OPTIONS

- Aluminum construction, filter sections
- Stainless Steel construction, Type 304 or 316
- Carbon absorber section, HEGA, side loading
- Return air discharge transition and elbow
- 20" diameter return air connections, flanged
- Fan discharge silencer, 84 dBA
- ULPA filters, 99.9995% @ 0.12 micron
- Gel seal vs. neoprene particulate filter gasket
- High static fan, 16" WG, 75 HP electric motor
- 75 HP rated soft start NEMA 4 enclosure
- Cam-lock electrical connections, panel mount
- 74 HP, 2.48 L, Tier 4 Final diesel engine
- Ducting hose storage
- Filter change out shelf
- Ducting and hose accessories



INDUSTRIAL VACUUM EQUIPMENT CORPORATION
 N8150 Maple Street • Ixonia, WI 53036
 800-331-4832 • 920-261-1136 • FAX 920-261-7117
www.industrialvacuum.com



20,000 CFM HEPA TRAILER

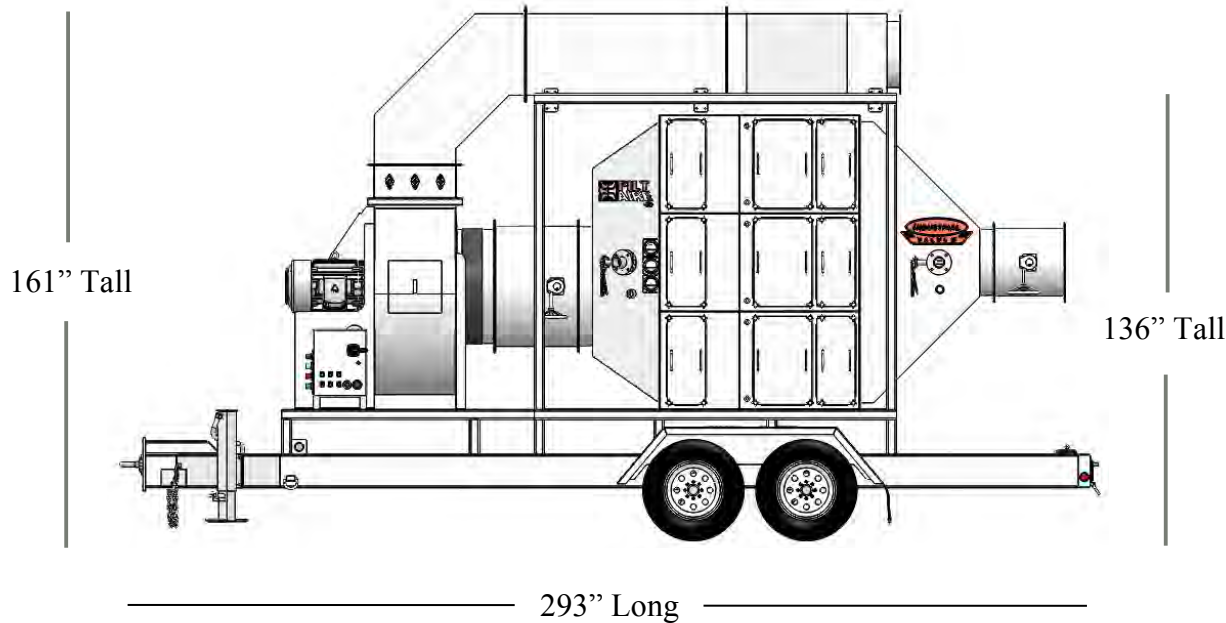
DIMENSIONS

Weight 13,000 lbs.

Electric Powered Portable Air Scrubber System (P.A.S.S)

Industrial Vacuum manufactures portable air scrubber systems (P.A.S.S.) ranging from 2,000 - 30,000 CFM. Contact us for more information.

Side view



Rear view

