

NICHOLSON MANUFACTURING INC.

Audible Noise Level Test

Date: 7/10/2020

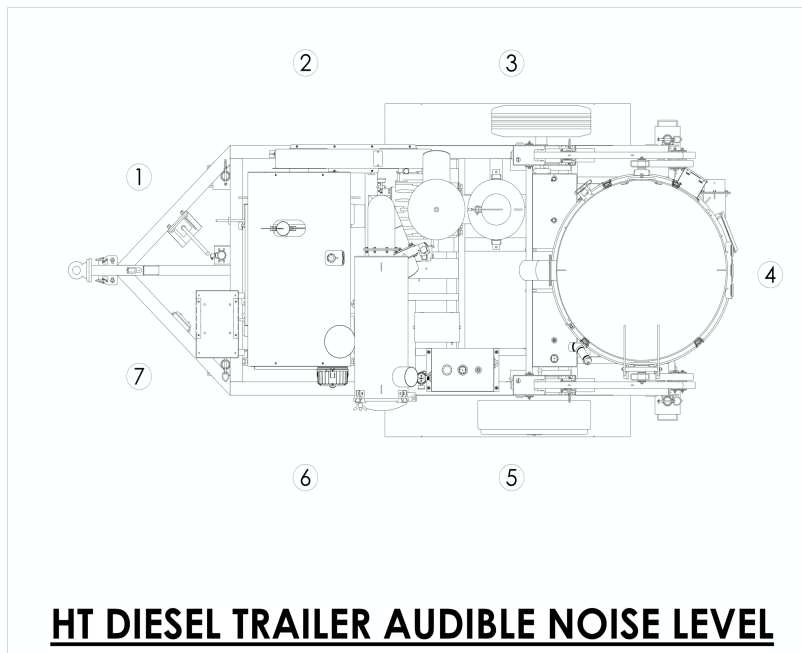
Test Performed By: TONY TOMAZ/BRYAN HENFER

Test Unit Serial Number: HT500-0482 (QC PACKAGE)

Test Procedure: Audible noise emitted by the equipment shall not exceed 84 dbA at any point at the distance of 3 feet from the equipment, and shall not exceed 90 dbA at the operator's work station as measured on the A weighted scale service conditions. Measurement shall be taken at each location identified below. For each measurement, the microphone shall be located on a straight line which is perpendicular to the vertical surface of the unit. Exterior noise levels shall not exceed 84dbA for both idle settings and engine/blower under load. If the audible noise levels exceeds 84 dbA, a hazardous noise label shall be affixed to the equipment to warn of the hazardous noise level.

For recording sound date an Extech Model 407736 (ser # 010606318) digital sound level meter was utilized. All data was recorded as measured on the "A" scale of the sound level meter.

Initial background noise level prior to testing (recorded approximately 2 meters from unit): 72 dbA.



Measurement	1	2	3	4	5	6	7
dbA @ 3', 0" Hg 2350 RPM - engine only	83	85	82	77	81	83	83
dbA @ 10', 0" Hg 2350 RPM - engine only	81	82	80	76	78	82	81
dbA @ 3', 3" Hg 2350 RPM – engine/blower	85	88	85	85	85	87	85
dbA @ 10', 3" Hg 2350 RPM – engine/blower	82	85	82	82	81	84	82
dbA @ 3', 27" Hg 2350 RPM – engine/blower	88	91	90	88	89	89	88
dbA @ 10', 27" Hg 2350 RPM – engine/blower	83	88	86	84	85	85	83

Test Acceptance (YES or NO): YES

Corrective Action: N/A