



PORTABLE 600 CFM VENTILATION BLOWER

2 HP VENTILATION BLOWER-ALUMINUM

Industrial Vacuum Equipment Corporation provides quality, dependability and service at a competitive price. These portable ventilation units are good for indoor or outdoor use.

- AIR VOLUME 600 ACFM at - 9"W.G.
- POWER SOURCE 2HP, 115 volt, 1 phase TEFC motor with on/off controls in a NEMA 4X enclosure
- CONSTRUCTION AMCA Type B, .190" Aluminum construction with portable base and lifting handle
- WEIGHT 74 Lbs.

STANDARD EQUIPMENT

- One 8" flanged inlet duct connections with guard
- One 8" flanged outlet duct connection with guard
- Aluminum portable support base with lifting handle
- Aluminum fan and wheel construction
- 2 HP 115/1/60 electric motor, TEFC
- 2 HP NEMA 4X rated motor starter on/off
- 12/3 SEO Pre-wired cord with watertight plug
- Epoxy primer and polyurethane enamel top coat

OPTIONS

- Carbon steel construction
- Skid base with fork pockets
- 3 phase electric motor
- Transportable dolly cart
- Silencer (intake or discharge)
- Damper (inlet or outlet)
- Sound package for quiet operation
- Explosion proof motor and controls
- Ducting and hose accessories



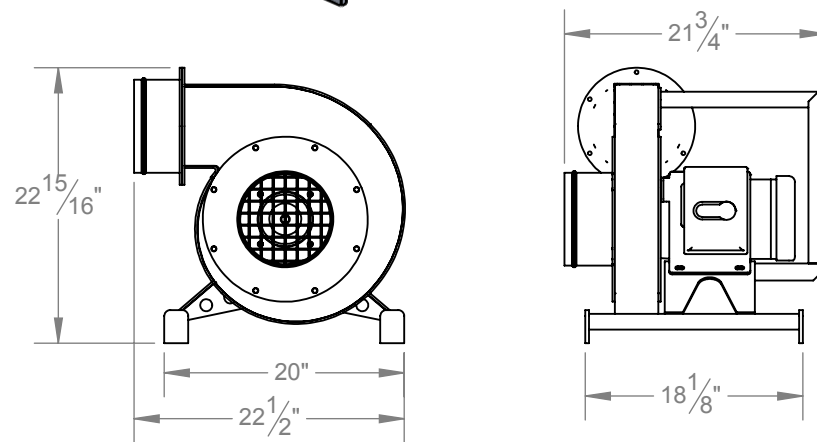
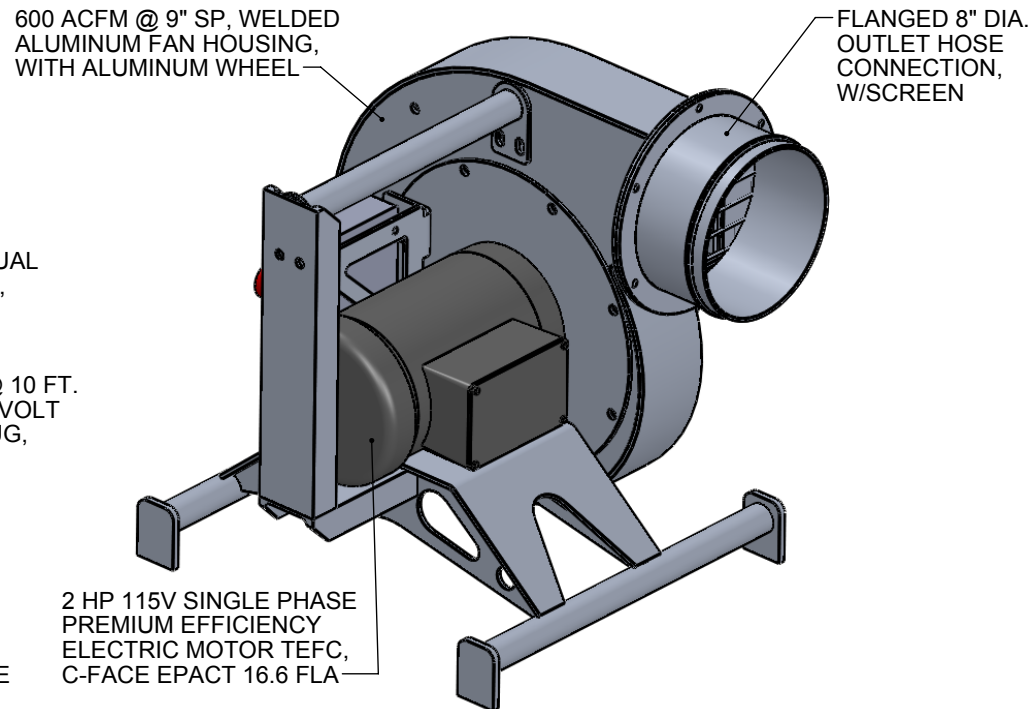
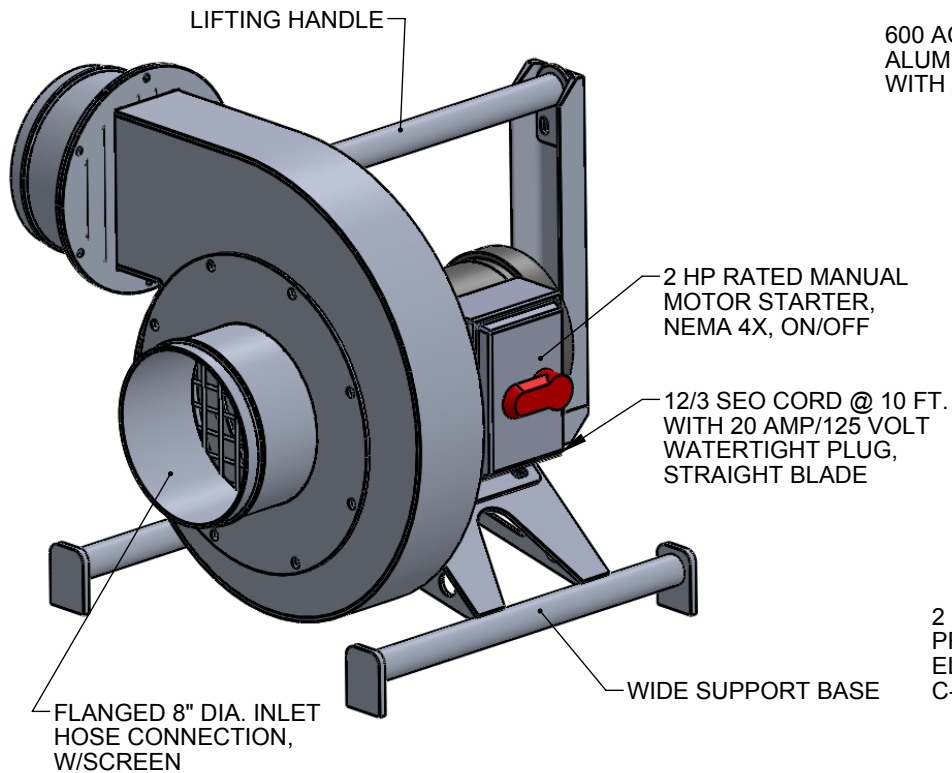
Industrial Vacuum Manufactures

Ventilation Blower Systems From 600 cfm - 40,000 cfm

Please contact us for more information on a ventilation blower system that will meet your requirements.



Industrial Vacuum Equipment Corporation
N8150 Maple Street • Ixonia, WI 53036
800-331-4832 • 920-261-1136 • FAX 920-261-7117
www.industrialvacuum.com



DESIGN & CONSTRUCTION:

- MODEL #: EV 600-ALUM
- INDOOR / OUTDOOR MOBILE EQUIPMENT
- WEIGHT OF UNIT: 74 lbs.
- 17" W.G. (DESIGN PRESSURE)
- .190" ALUMINUM CONSTRUCTION
- SPARK RESISTANT - AMCA TYPE B CONSTRUCTION

OPERATING DATA:

- 600 ACFM (AIR VOLUME)
- 9" WG (OPERATING PRESSURE)
- GENERAL VENTILATION
- AMBIENT (OPERATING TEMPERATURE) 200°F MAX TEMP.

MATERIAL:
ALUMINUM

PROPRIETARY AND CONFIDENTIAL

THE INFORMATION CONTAINED IN THIS DRAWING IS THE SOLE PROPERTY OF INDUSTRIAL VACUUM EQUIPMENT CORP. ANY REPRODUCTION IN PART OR AS A WHOLE WITHOUT THE WRITTEN PERMISSION OF INDUSTRIAL VACUUM EQUIPMENT CORP. IS PROHIBITED.

DO NOT SCALE DRAWING UNLESS OTHERWISE SPECIFIED: DIMENSIONS ARE IN INCHES TOLERANCES:
FRACTIONAL ± 1/16
ANGULAR: MACH ± .5 BEND ± 1
TWO PLACE DECIMAL ± .06
THREE PLACE DECIMAL ± .030

	NAME	DATE
DRAWN		
CHECKED		
REVISED		

SHEET 1 OF 1



DESCRIPTION:
ALUMINUM VENTILATION BLOWER

DRAWING. NO. EV 600-ALUM

REV -